

# Electra Slim Plus 36012

Product code: 01-009-007-12-360



SELV

## Input parameters:

Voltage range:	<b>190~250 V AC</b>
Frequency range:	<b>50~60 Hz</b>
AC current:	<b>2.65 A / 230 V AC</b>
Inrush current:	<b>60A / 230VAC</b>
Leakage current:	<b>5mA / 230VAC</b>
Standby power consumption:	<b>&lt;1W</b>
Efficiency	<b>89%</b>
Power factor:	<b>0.6</b>

## Output parameters:

DC voltage:	<b>12 V DC</b>
Rated current:	<b>30 A</b>
Rated power:	<b>360 W</b>
Ripple&noise(max.):	<b>&lt;200mVp-p</b>
Setup, rise time(max.):	<b>1500ms, - / 230VAC</b>
Hold up time	<b>-</b>
Load regulation:	<b>±1%</b>
Line regulation:	<b>±1%</b>
Regulation summary:	<b>± 2%</b>

## Environment:

Working Temp.&Humid.:	<b>-25~50°C; 20~98% RH</b>
Storage Temp.&Humid.:	<b>-40~80°C; 10~98% RH</b>
Vibration:	<b>-</b>
Max. Case Temperature:	<b>85°C</b>

## Isolation:

Withstand voltage:	<b>input-ouput:AC3.00KV/1min/&lt;5mA</b>
Isolation resistance	<b>input-ouput: DC500V 100MΩ(at room temp. &amp; humid.)</b>

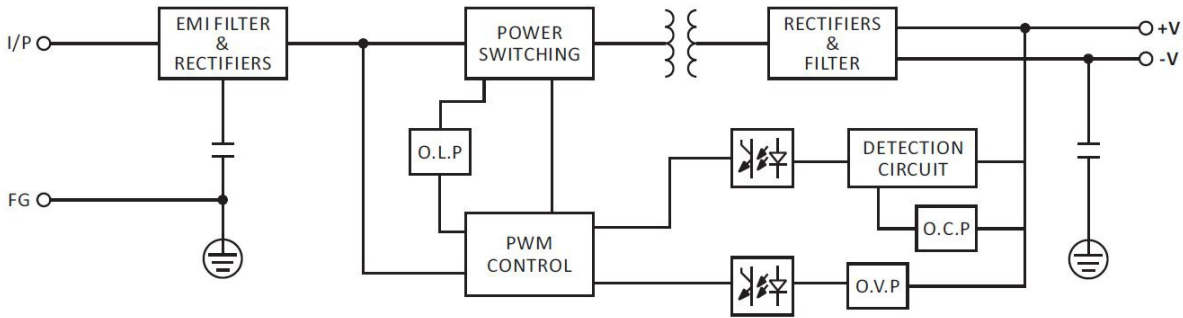
## Protection:

Short circuit:	<b>recovers automatically after fault condition is removed; hiccup mode</b>
Over load:	<b>105-130% of rating; recovers automatically after fault condition is removed; hiccup mode</b>
Over voltage:	<b>-</b>
Over current:	<b>-</b>
Over Temperature:	<b>-</b>

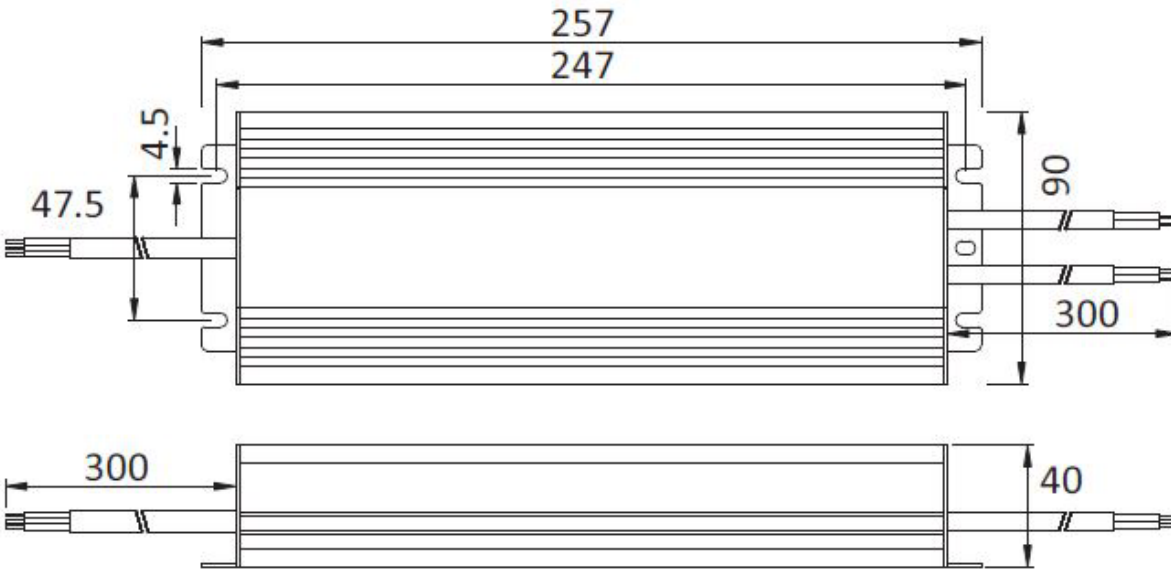
## Others:

IP:	<b>IP67</b>
Dimension:	<b>257 x 90 x 40 mm</b>
Power connection - wires:	<b>input: 3x1.0mm2 L300mm, output:: 2x1.5mm2 L300mm</b>
Weight:	<b>1.570 kg</b>
Packing:	<b>10 pcs</b>
Warranty:	<b>3</b>

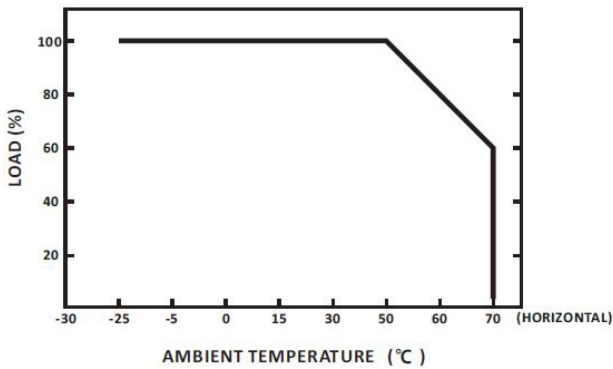
Block diagram:



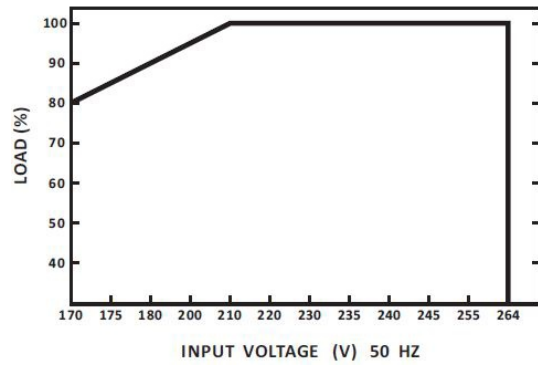
Dimensions [AxBxC]: 257 x 90 x 40 mm



Derating curve:



Static characteristics:



Note:

The given parameters (unless otherwise stated) were measured for a supply voltage of 230V AC, at nominal load in laboratory conditions, at an ambient temperature of 25°C.

The power supply is not an independently operating device, it is designed to work as a component of devices and installations. The EMC interference level of the power supply unit may depend on the nature of the receiver connected to it, and the total interference of the entire system also includes interference generated by other elements included in its composition.

The purpose of the power supply for LED lighting products may vary by region and local requirements. Before purchasing, verify the possibility of using the power supply to power LED products based on the legal requirements in the country of destination.